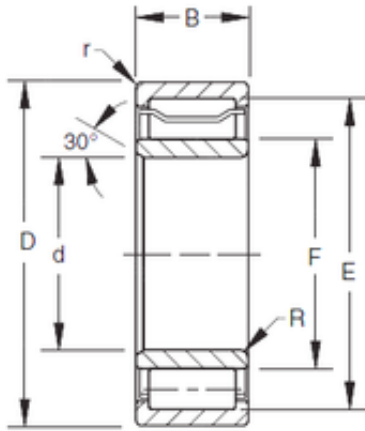




Horton Bearing Services

Bearing A-5248-WM

Bearing No. A-5248-WM



| | |
|----------------|-----------|
| Bore Diameter | 240 mm |
| Outer Diameter | 402 mm |
| d | 240 mm |
| F | 285 mm |
| D | 440 mm |
| E | 402 mm |
| B | 146,05 mm |
| C | 146,05 mm |
| R | 9,5 mm |
| r | 3 mm |

A-5248-WM Bearing 2D drawings and 3D CAD models